

# ADDENDUM E

## *FENCE SPECIFICATIONS*

There are four fences approved for installation in the Scioto Reserve community::

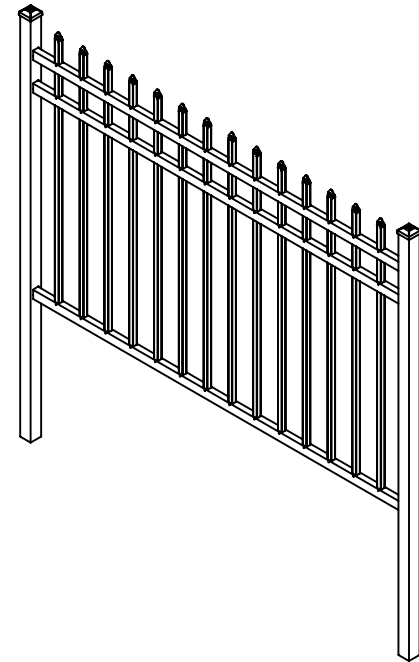
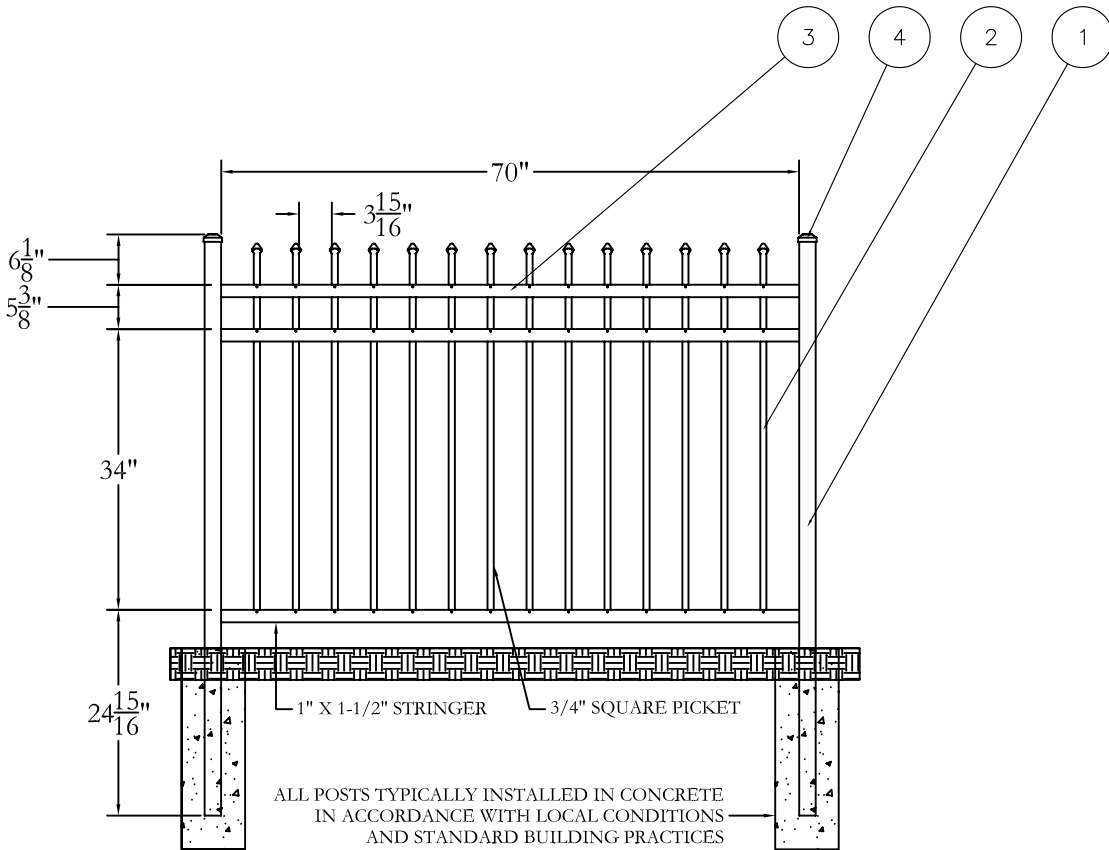
- 1) The Buckingham Style (aluminum)\*
- 2) The 202 Old-style (aluminum)\*
- 3) The Three-rail (wood)
- 4) The Scallop-top (wood)

*\*A Jerith manufactured fence is not required, however matching specifications are required.*

The style of fence being applied for must be included with your application and any planned deviation from the specifications that follow must be clearly stated and requested as a variance in the application. A specification sheet for the fence being applied for must be included with each application. The spec sheet can be supplied from the fence vendor, or may be one of the following:

FENCE PARTS		
Name	Qty	Item
2" POST	2	1
BUCK-48 PICKET	14	2
71-1/2" - 14 HOLE POOL STRINGER	3	3
2" ALUMINUM POST CAP	2	4

ZONE	REV	DESCRIPTION	DATE	APPROVED
-	NC	INITIAL RELEASE		



*Jerith*<sup>®</sup>  
 Manufacturing Co., Inc.  
 Philadelphia, PA 19154  
 (800)344-2242

DRAWING:  
**BUCKINGHAM FENCE**  
**48" HEIGHT**

© 2005. This drawing may not be altered or reproduced without the permission of Jerith Manufacturing Co., Inc.

SIZE D	DWG NO. RG48UBSN	REV NC
SCALE	DATE 1-1-04	SHEET 1 OF 1

FENCE PARTS		
ITEM	QTY	NAME
1	15	R202 - 48" PICKET
2	2	2" ALUMINUM POST CAP
3	1	72" - 15 HOLE RESIDENTIAL HEADER
4	2	2" POST
5	2	72" - 15 HOLE RESIDENTIAL STRINGER

ZONE	REV	DESCRIPTION	DATE	APPROVED
-	NC	INITIAL RELEASE		

D

C

B

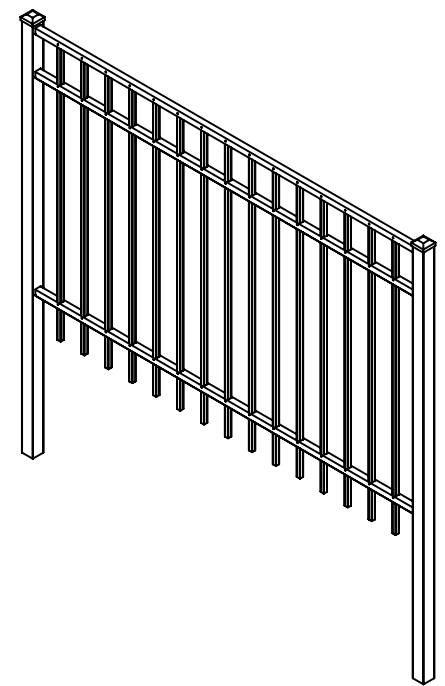
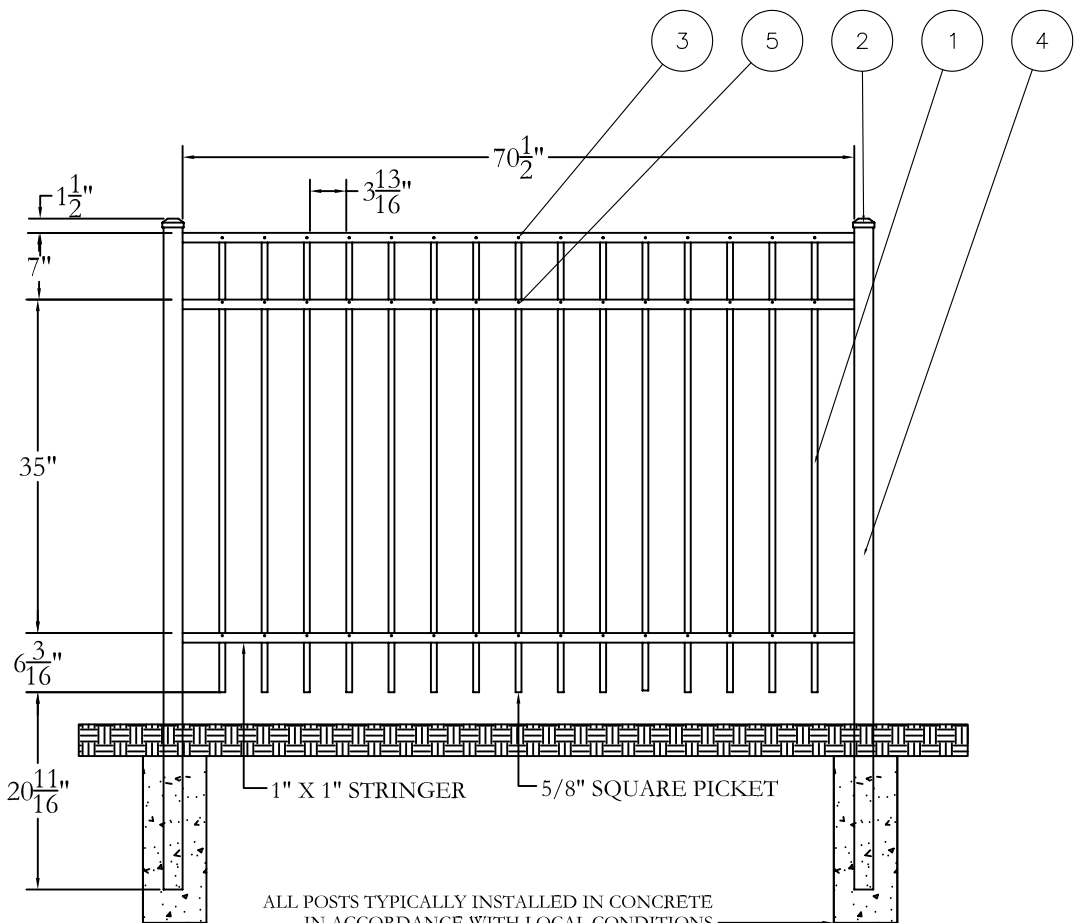
A

D

C

B

A



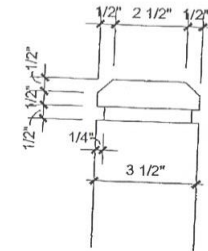
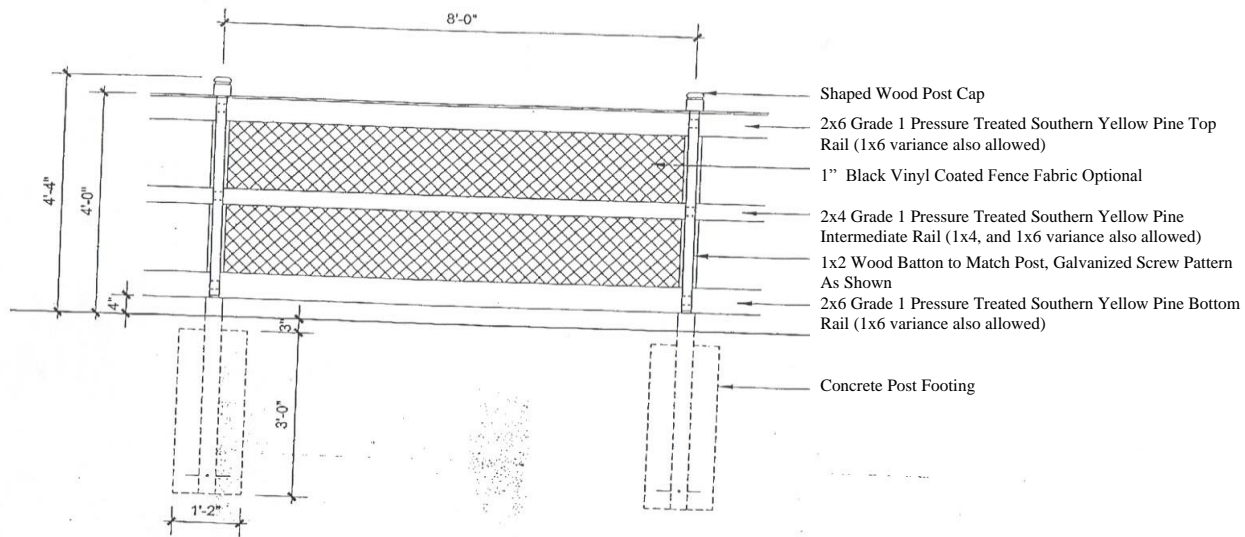
*Jerith*<sup>®</sup>  
 Manufacturing Co., Inc.  
 Philadelphia, PA 19154  
 (800)344-2242

DRAWING:  
**RESIDENTIAL FENCE**  
**STYLE #202 - 48" HEIGHT**

ALL POSTS TYPICALLY INSTALLED IN CONCRETE  
 IN ACCORDANCE WITH LOCAL CONDITIONS  
 AND STANDARD BUILDING PRACTICES

© 2005. This drawing may not be altered  
 or reproduced without the permission of  
 Jerith Manufacturing Co., Inc.

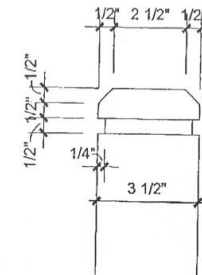
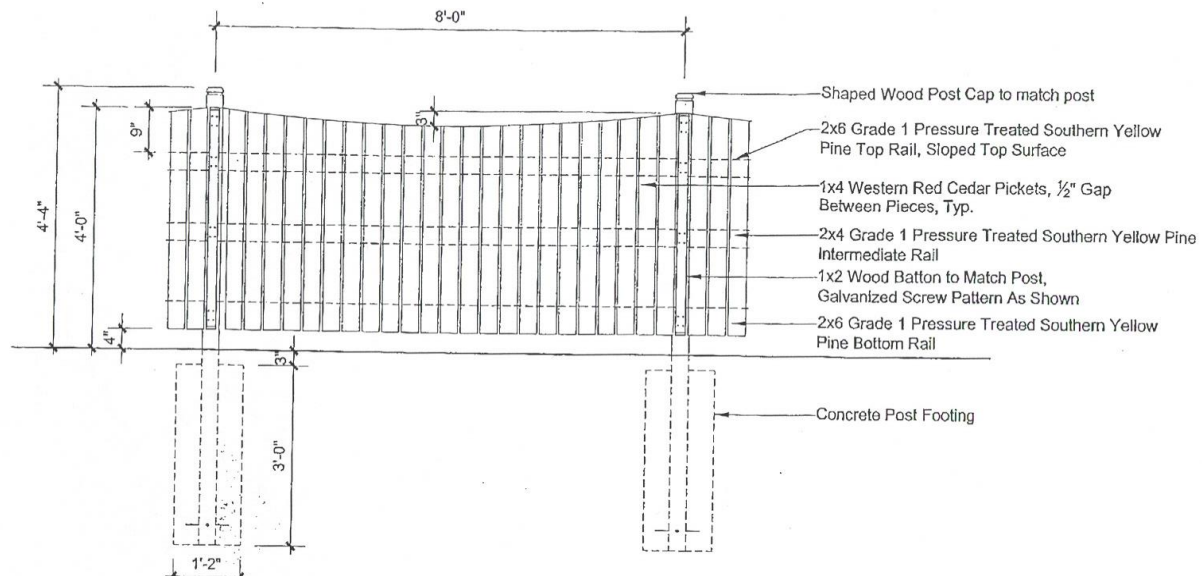
SIZE D	DWG NO. RS48U202SN	REV NC
SCALE	DATE 3-1-04	SHEET 1 OF 1



2 Post Cap Detail  
3"=1'-0"

General Notes:

1. All surfaces to be approved stain/paint as noted in Addendum D.
2. Rails and Post to be grade 1 pressure treated southern yellow pine.



2 Post Cap Detail  
3"=1'-0"

General Notes:

1. Variances will be granted on picket width; however, gap width must be  $\frac{1}{2}$ ".
2. Rails and Post to be grade 1 pressure treated southern yellow pine. Pickets are to be western red cedar.