

## Addendum E Fence Specifications

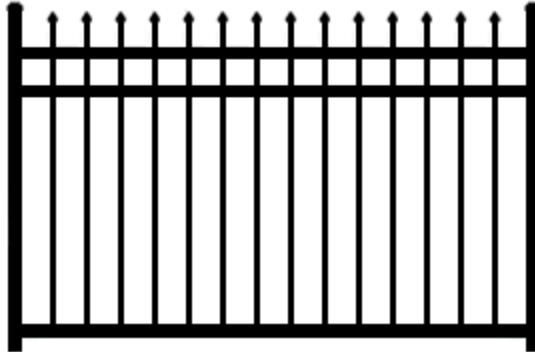
### **Scioto Reserve Master Association**

c/o Capital Association Management Partners, 3755 Attucks Drive Powell, OH 43065

The Design Review Board has approved three options for fence installation, a black aluminum picket, a wood three rail and a wood arch-top. The specifications for each follow:

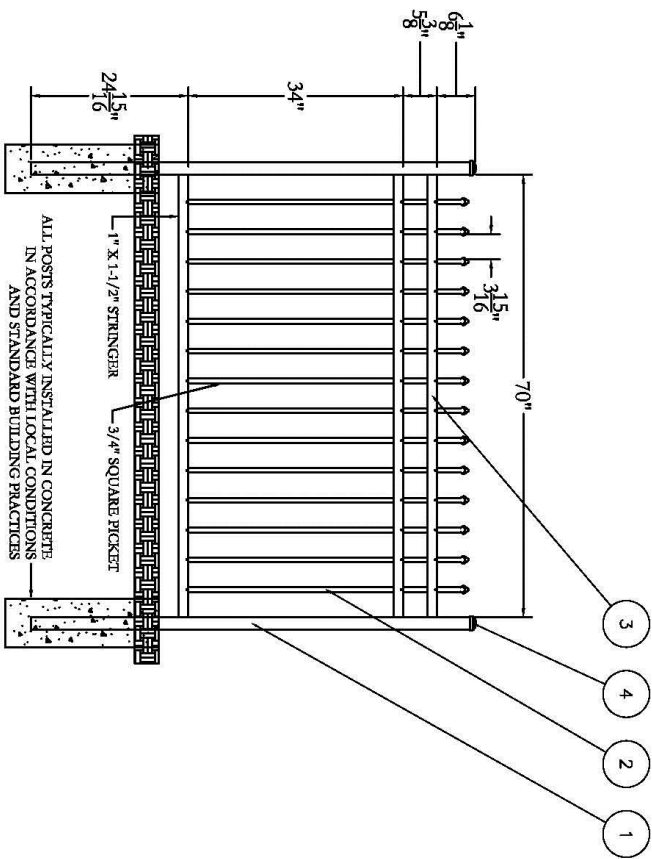
The aluminum residential fencing, as available from Jerith Manufacturing Company, that will be permitted for any homeowner at Scioto Reserve is as follows:

1. Jerith Regency Series, Buckingham Style – 48” Height
  - a. 60” height for pool enclosures



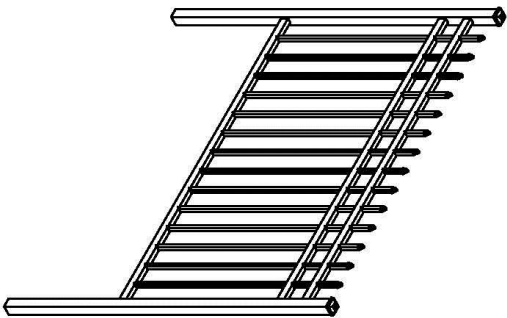


FENCE PARTS		Qty	Item
2"	POST	2	1
BUCK-48	PICKET	14	2
71-1/2"	14 HOLE POOL STRINGER	3	3
2"	ALUMINUM POST CAP	2	4

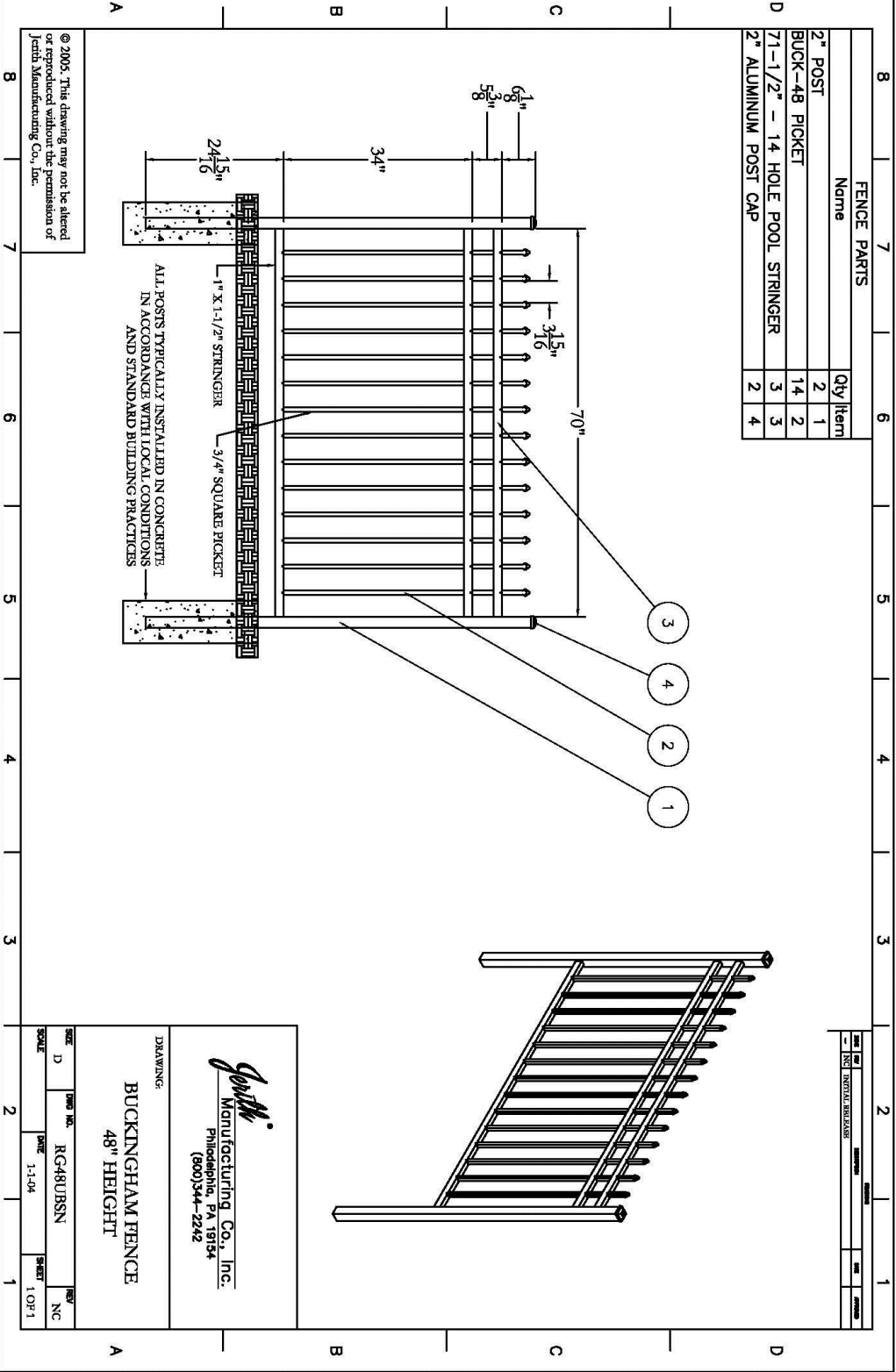


ALL POSTS TYPICALLY INSTALLED IN CONCRETE IN ACCORDANCE WITH LOCAL CONDITIONS AND STANDARD BUILDING PRACTICES

1" X 1-1/2" STRINGER  
3/4" SQUARE PICKET



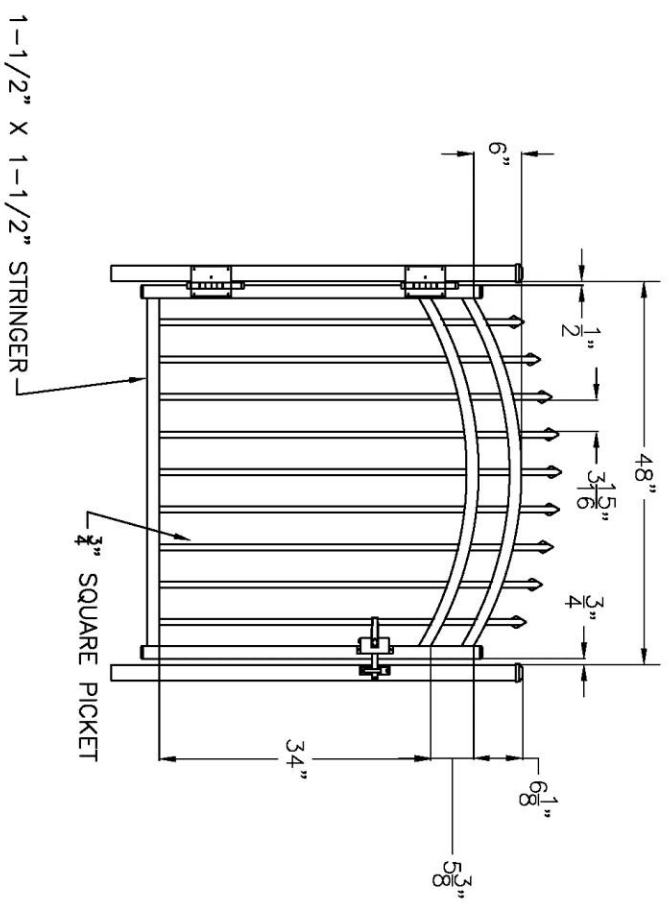
© 2005, This drawing may not be altered or reproduced without the permission of Jethro Manufacturing Co., Inc.




**Jethro**  
Manufacturing Co., Inc.  
Philadelphia, PA 19154  
(800)344-2242

DRAWING:  
**BUCKINGHAM FENCE**  
**48" HEIGHT**

SIZE	DWG NO.	REV
D	RG-48UBSN	NC
SCALE	DWG DATE	SHEET
1:1-04	1-1-04	1 OF 1



  
 South  
 Manufacturing Co., Inc.  
 Philadelphia, PA 19154  
 (800)344-2242

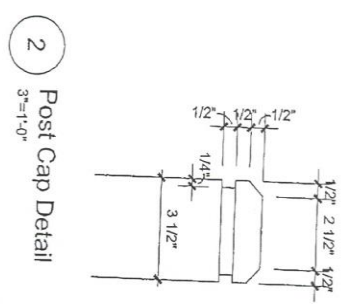
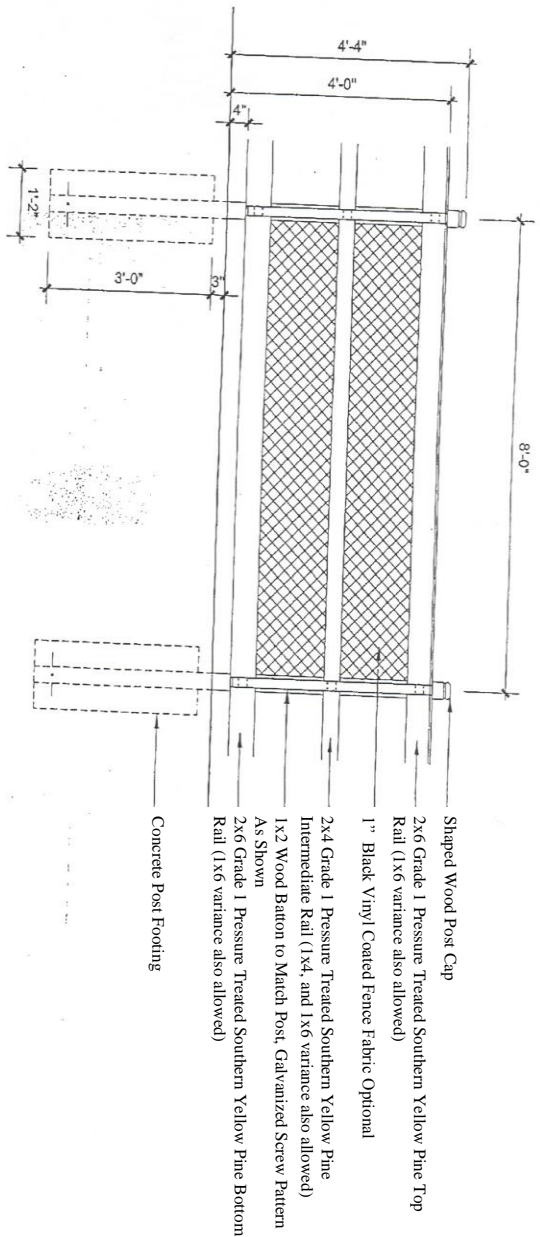
---

**POOL ACCENT GATE**  
**STYLE BUCKINGHAM**  
**48" HIGH X 48" WIDE**

---

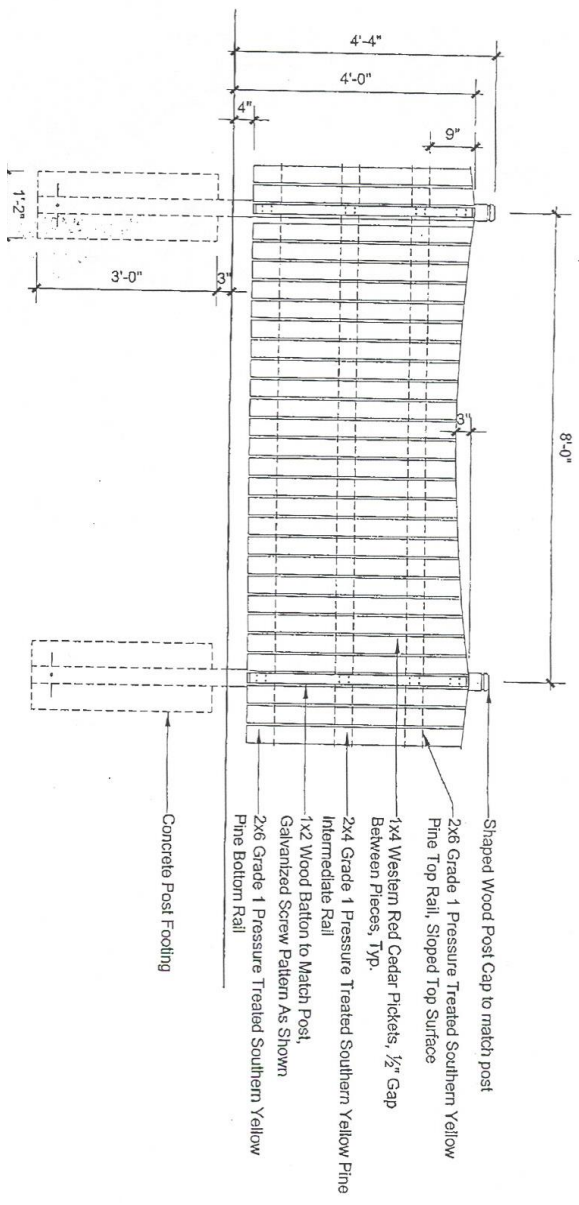
Copyright 2004  
 The Bucking  
 Pool Accessories of Inc.  
 All Rights Reserved

Model No. **BUCK48U48**



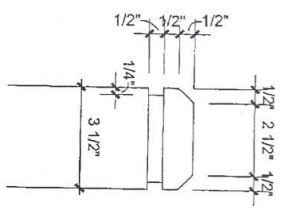
General Notes:

1. All surfaces to be approved stain/paint as noted in Addendum D.
2. Wood screws are to be flat head weathermaster steel course thread as manufactured by Textron, Inc.
3. Rails and Post to be grade 1 pressure treated southern yellow pine. Pickets are to be western red cedar.



2

Post Cap Detail  
3'-1'-0"



General Notes:

1. Variances will be granted on picket width; however, gap width must be  $\frac{1}{2}$ ".
2. Wood screws are to be flat head weathermaster steel course thread as manufactured by Textron, Inc.
3. Rails and Post to be grade 1 pressure treated southern yellow pine. Pickets are to be western red cedar.